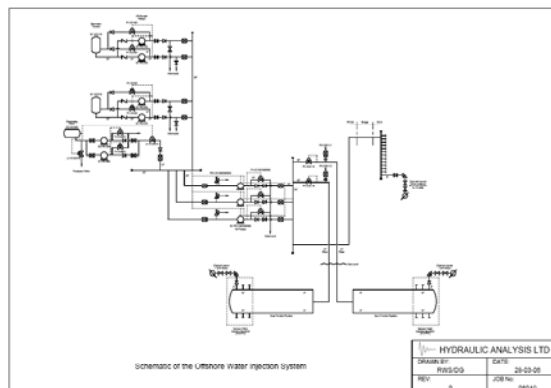




## Azeri Platforms

### Dynamic Studies of Seawater, Water Injection, Cooling Water, Firewater and Oil Offloading Systems

- System : Azeri Platforms
- Location : Caspian Sea
- Scope : Dynamic Design Study
- Client : AIOC
- Study Date : 2003 - Present
- Systems : Seawater
- : Water Injection
- : Cooling Water
- : Fire Water
- : Oil Export

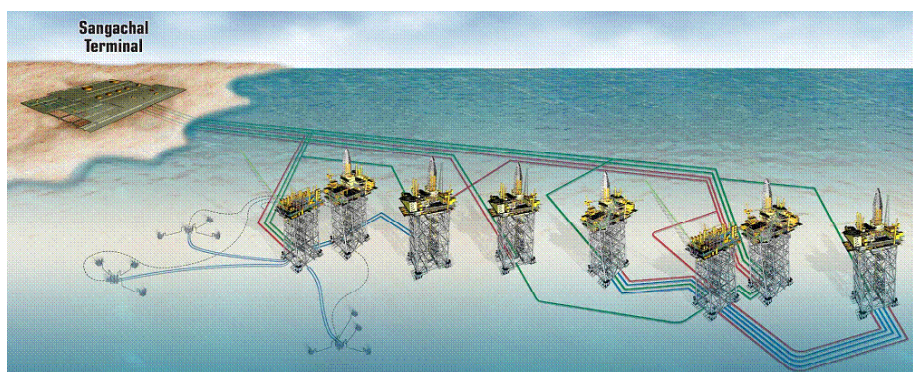


#### Study Scope

The West, Central, East Azeri and DWG Platforms are located in approximately 125 metres of water 100km east of Baku in the Caspian Sea. The Azeri oil is landed through a dedicated pipeline laid to the AIOC-operated Sangachal processing and storage facility south of Baku, the capital of Azerbaijan. Hydraulic Analysis were involved in the conceptual and detailed design of phases 1, 2 and 3 of all systems on each platform.

Simulators of each system, including the multiple control systems were built and various start-up and shutdown scenarios were modelled. Certain systems use split range dual pressure / flow controllers and the modelling of these control systems formed an integral part of the study and particular focus was placed on the pressure protection systems. The scope of work for the firewater network included the modelling of the priming of the numerous dry deluge systems. There were a total of eight flow assurance engineers dedicated to this project at the model build stage which demonstrates our capability to handle multiple projects at the same time.

We commenced work on the West Chirag platform in 2010 for KBR / BP. West Chirag is a new offshore oil and gas platform installed between the existing Chirag-1 and Deepwater Gunashli (DWG) platforms on the ACG contract area. The award of this contract from KBR and BP is another milestone for Hydraulic Analysis Ltd in this area of the world.



Hydraulic Analysis Ltd  
Mill House  
Hawksworth Road  
Horsforth  
Leeds  
LS18 4JP

Tel:  
+44 (0)113 258 1622

Website:  
[hydraulic-analysis.com](http://hydraulic-analysis.com)

Email:  
[info@haltd.co.uk](mailto:info@haltd.co.uk)

